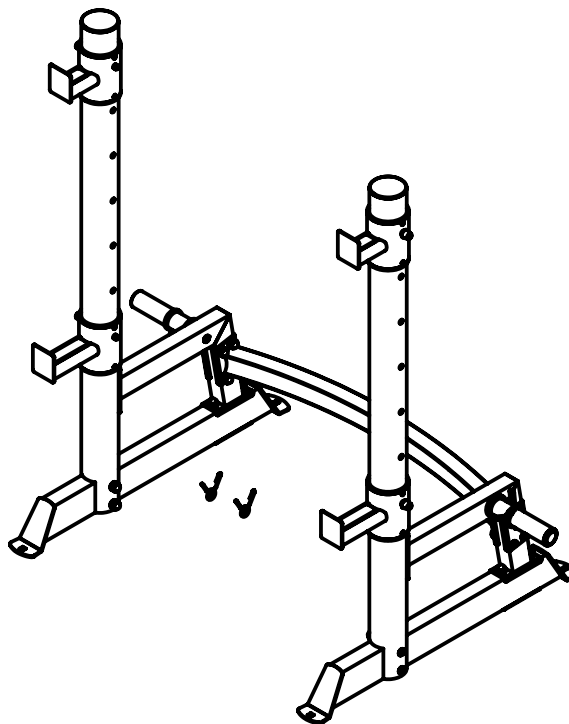




SQUAT RACK

ADI-10242-I

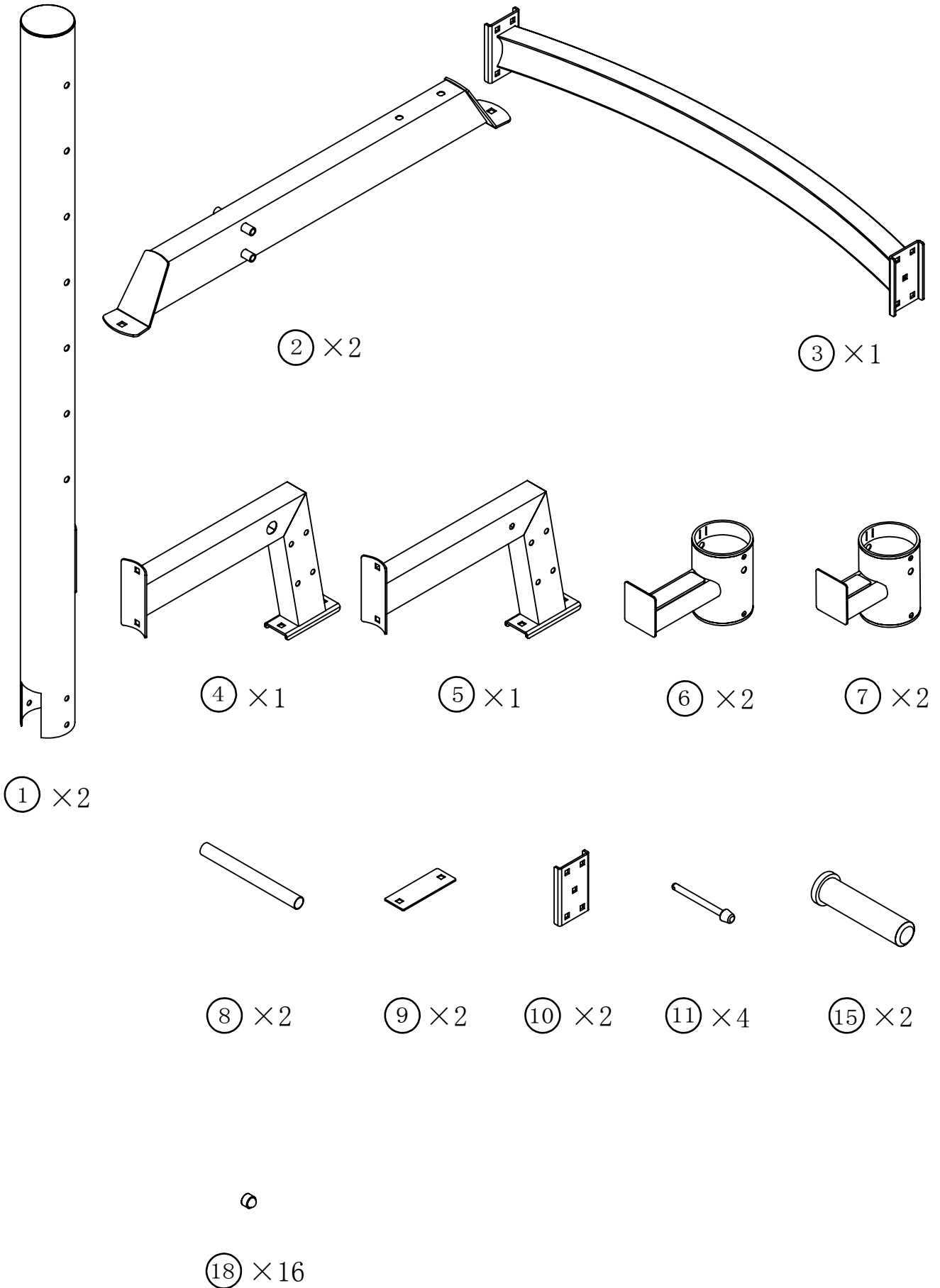


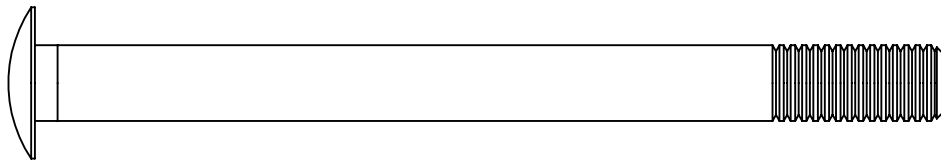
IMPORTANT: Please read the Important Safety Notice and Assembly Information in the Owner's manual before assembling this product.

ATTENTION! Veuillez lire l'Avis de sécurité important et le Guide d'assemblage avant d'assembler cet appareil.

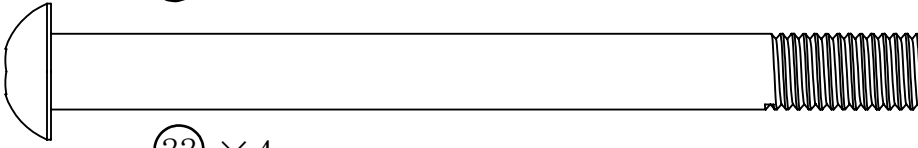
Assembly Manual Guide d'assemblage

120618

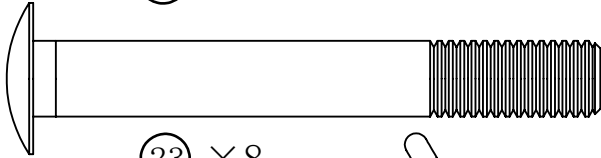




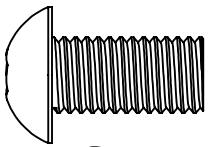
②① × 4



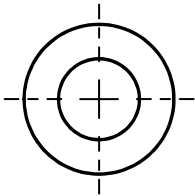
②② × 4



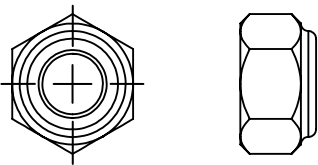
②③ × 8



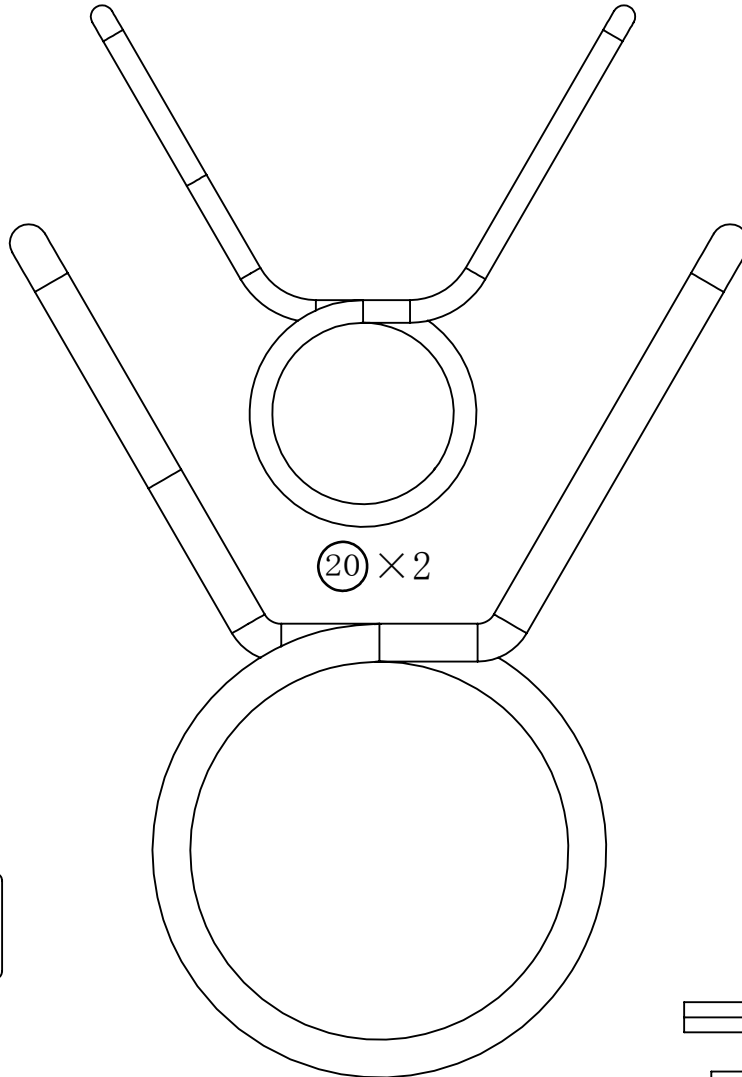
②④ × 6



②⑤ × 26



②⑥ × 16



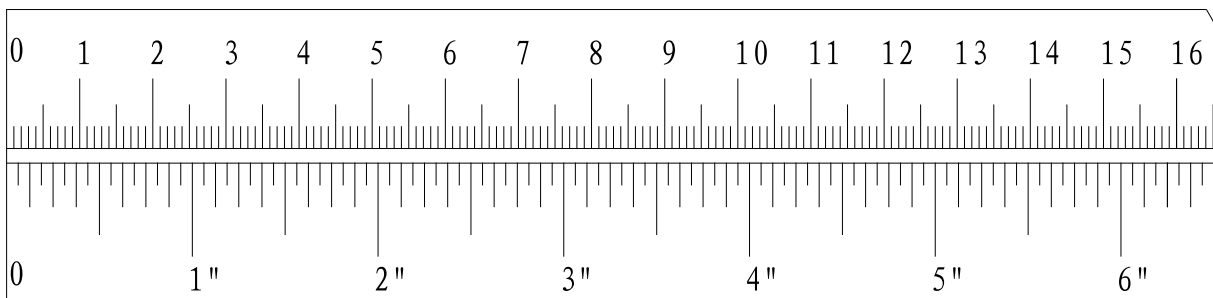
②⑦ × 2

6# × 1

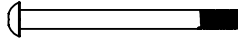
4# × 1

②⑧ × 2

mm



22 x 2



M10x4 1/2"

25 x 4

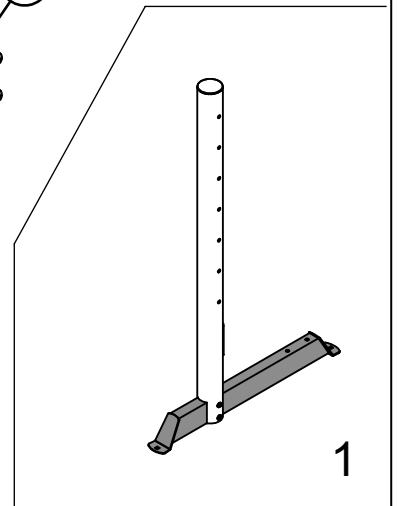
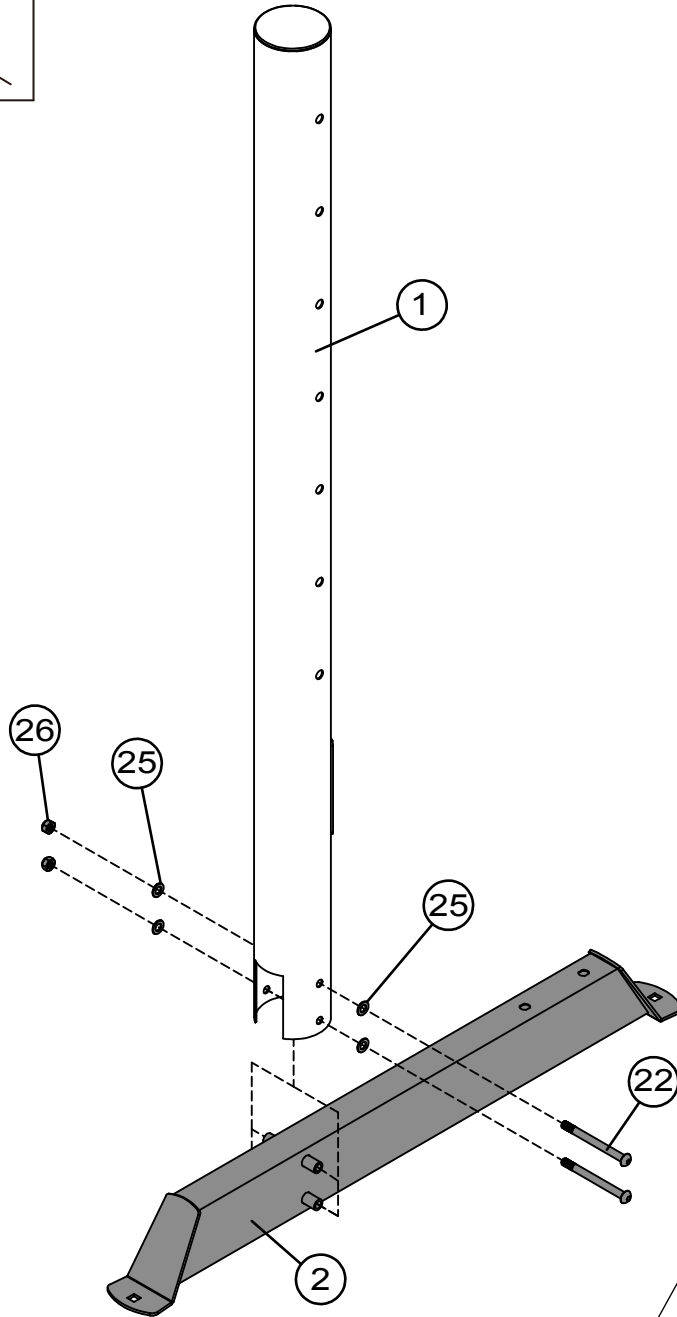
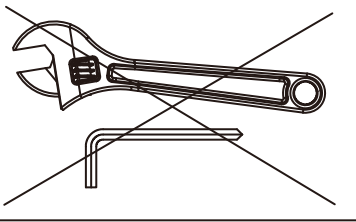


Φ3/4"

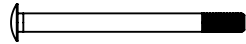
26 x 2



M10



21 x 2



M10x4 3/4"

24 x 2



M10x3/4"

25 x 4

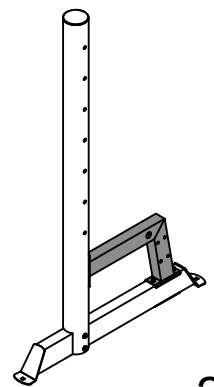
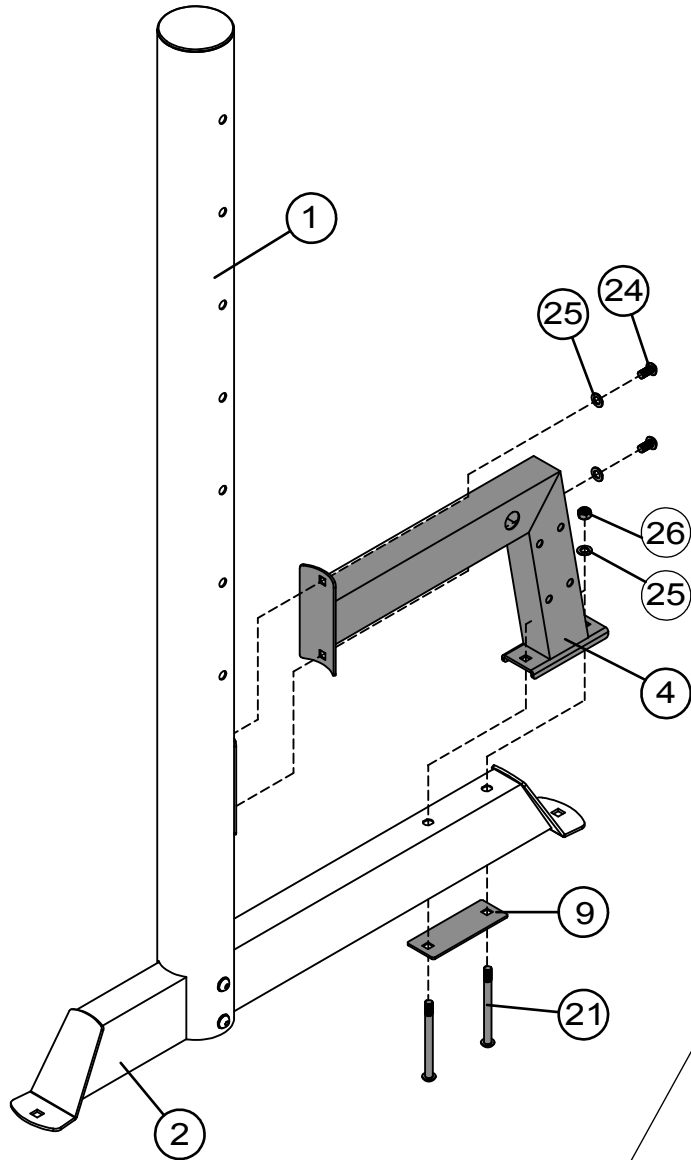
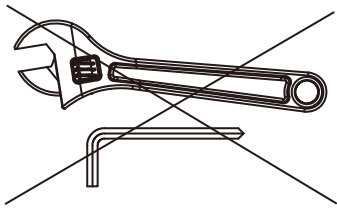


Φ3/4"

26 x 2

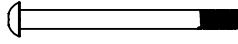


M10



2

22 x 2



M10x4 1/2"

25 x 4

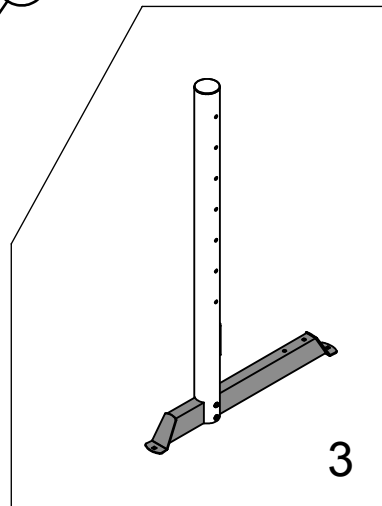
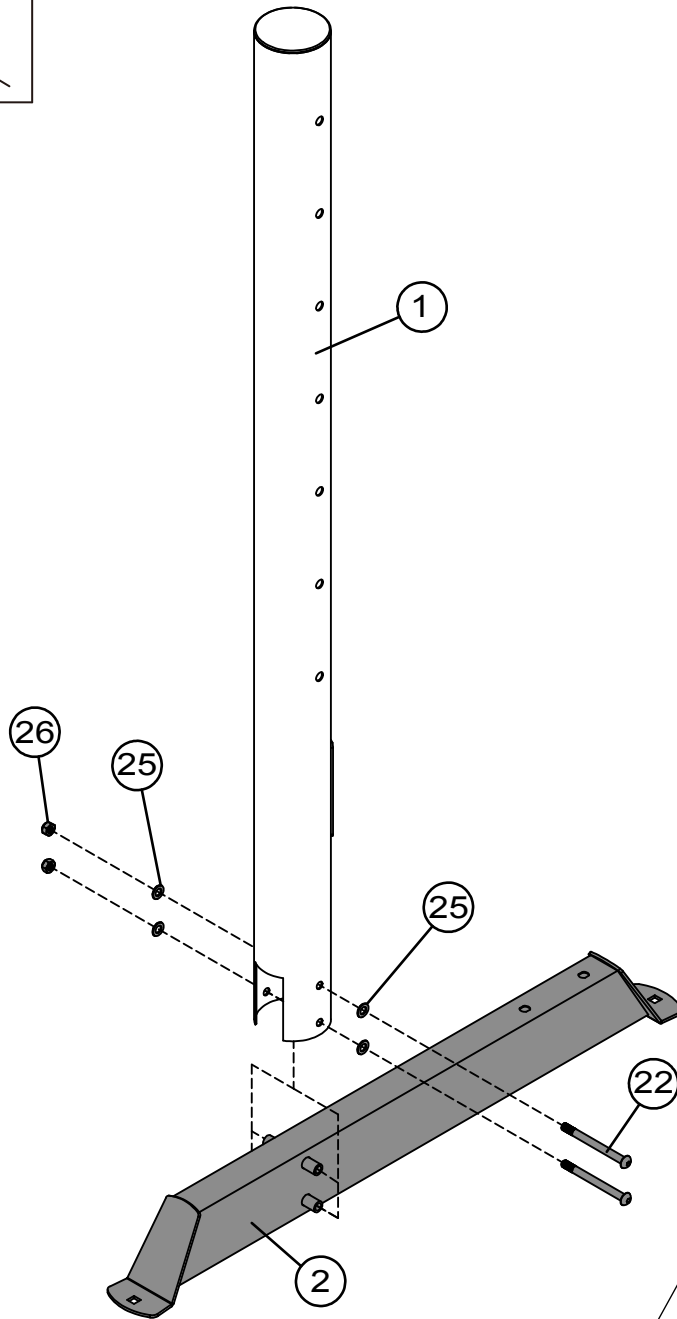
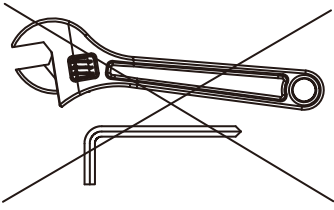


Φ3/4"

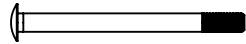
26 x 2



M10



21 x 2



M10x4 3/4"

24 x 2



M10x3/4"

25 x 4

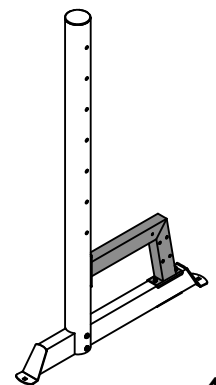
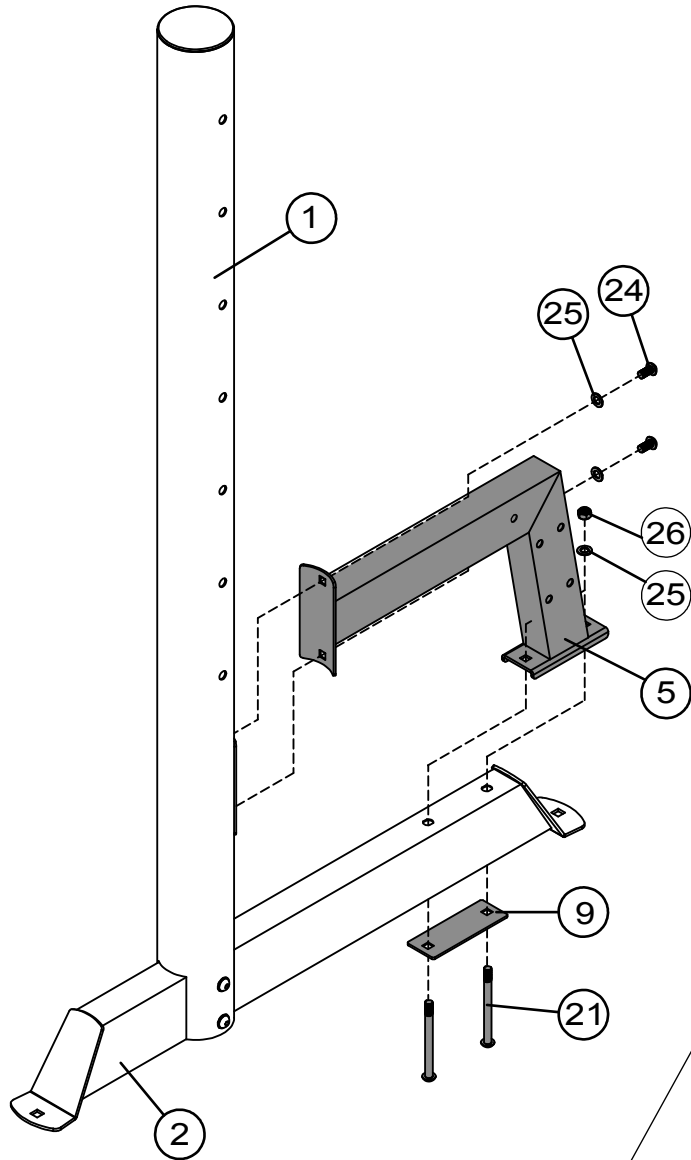
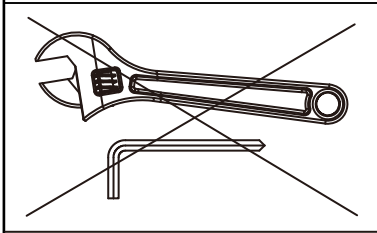


Φ3/4"

26 x 2

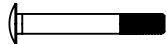


M10



4

23 x 8



M10x3''

25 x 8

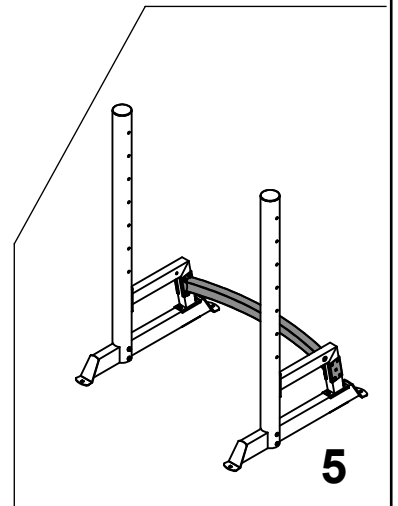
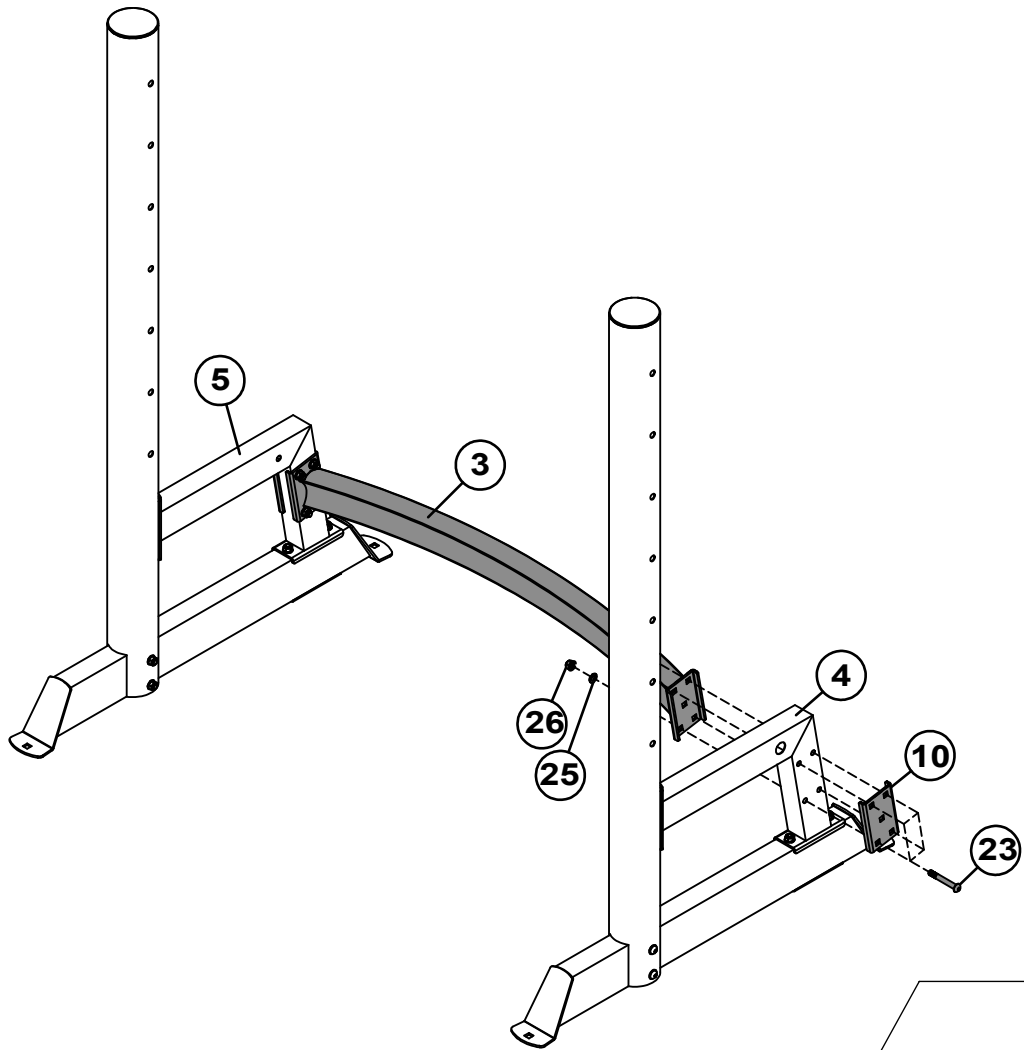
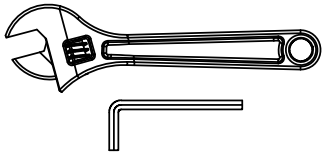


Φ3/4''

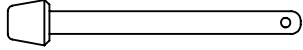
26 x 8



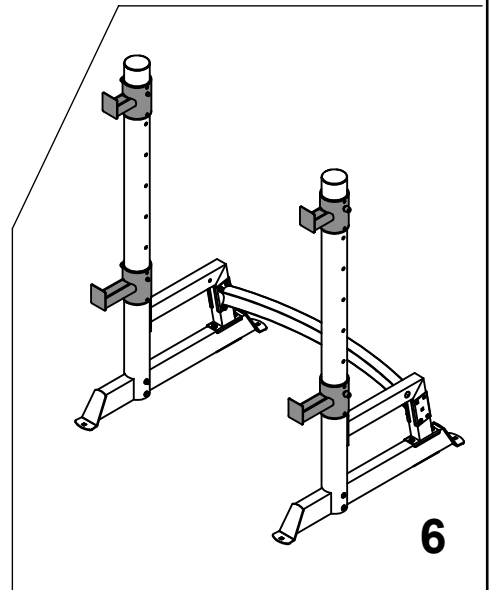
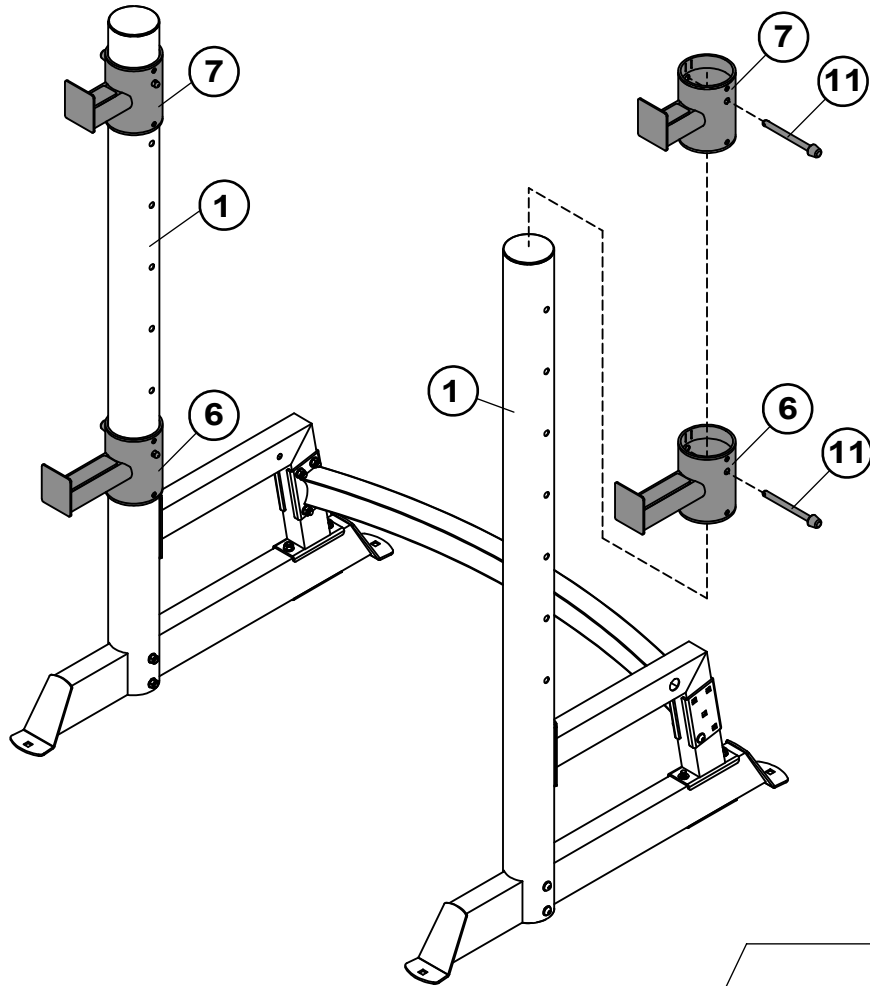
M10



①① × 4



Φ12×5 1/4"



24 x 2

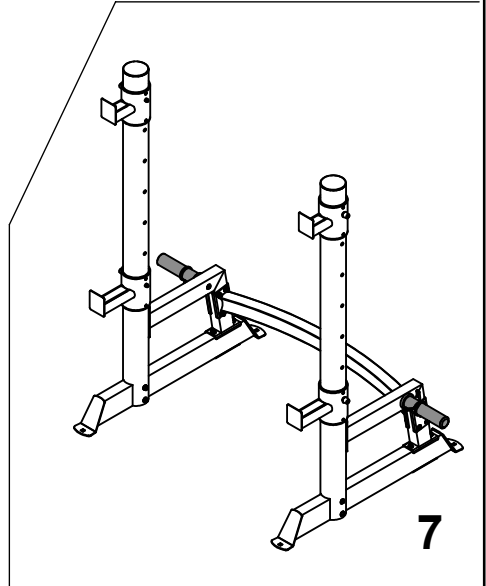
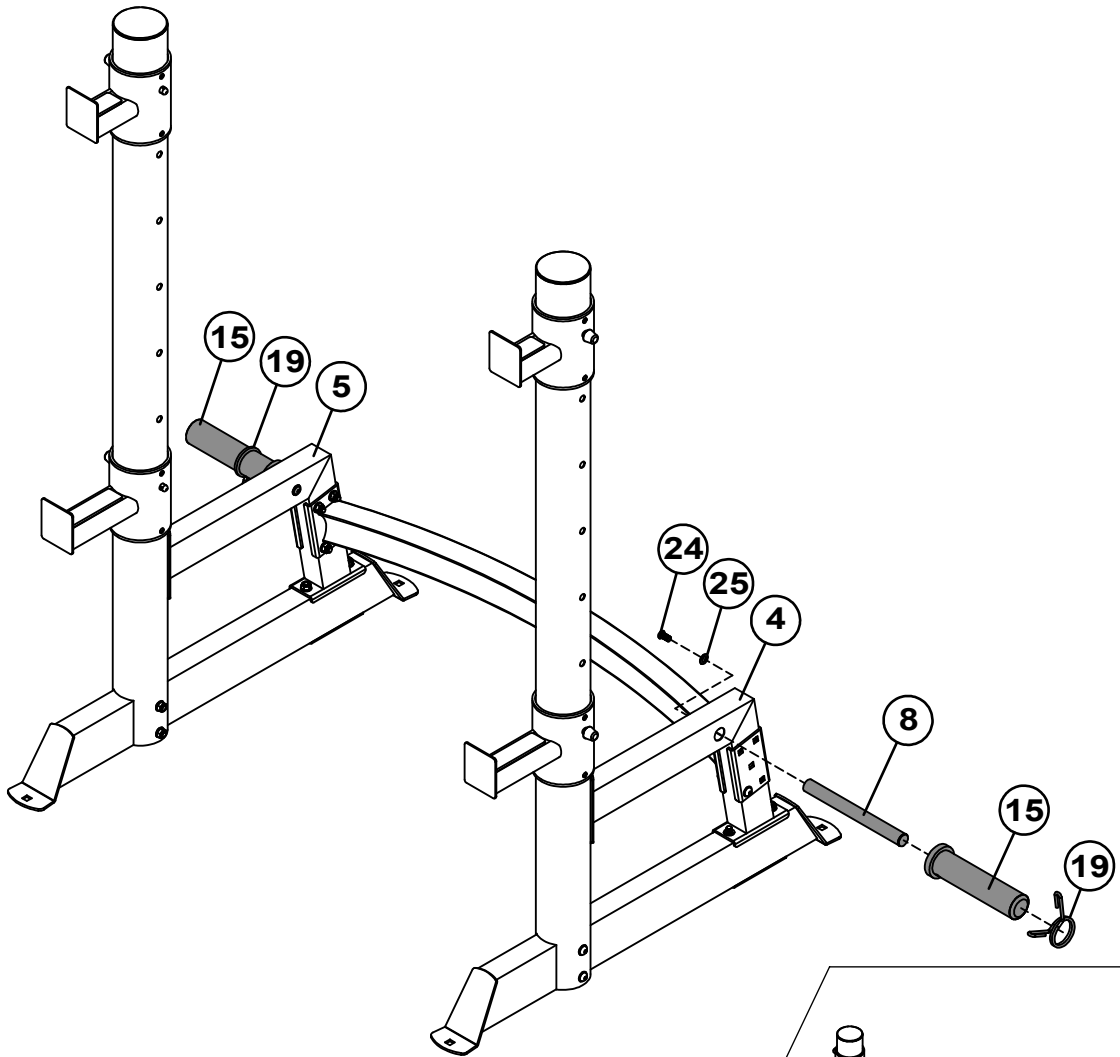
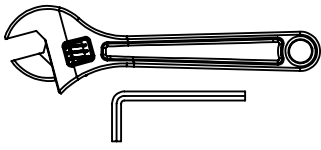


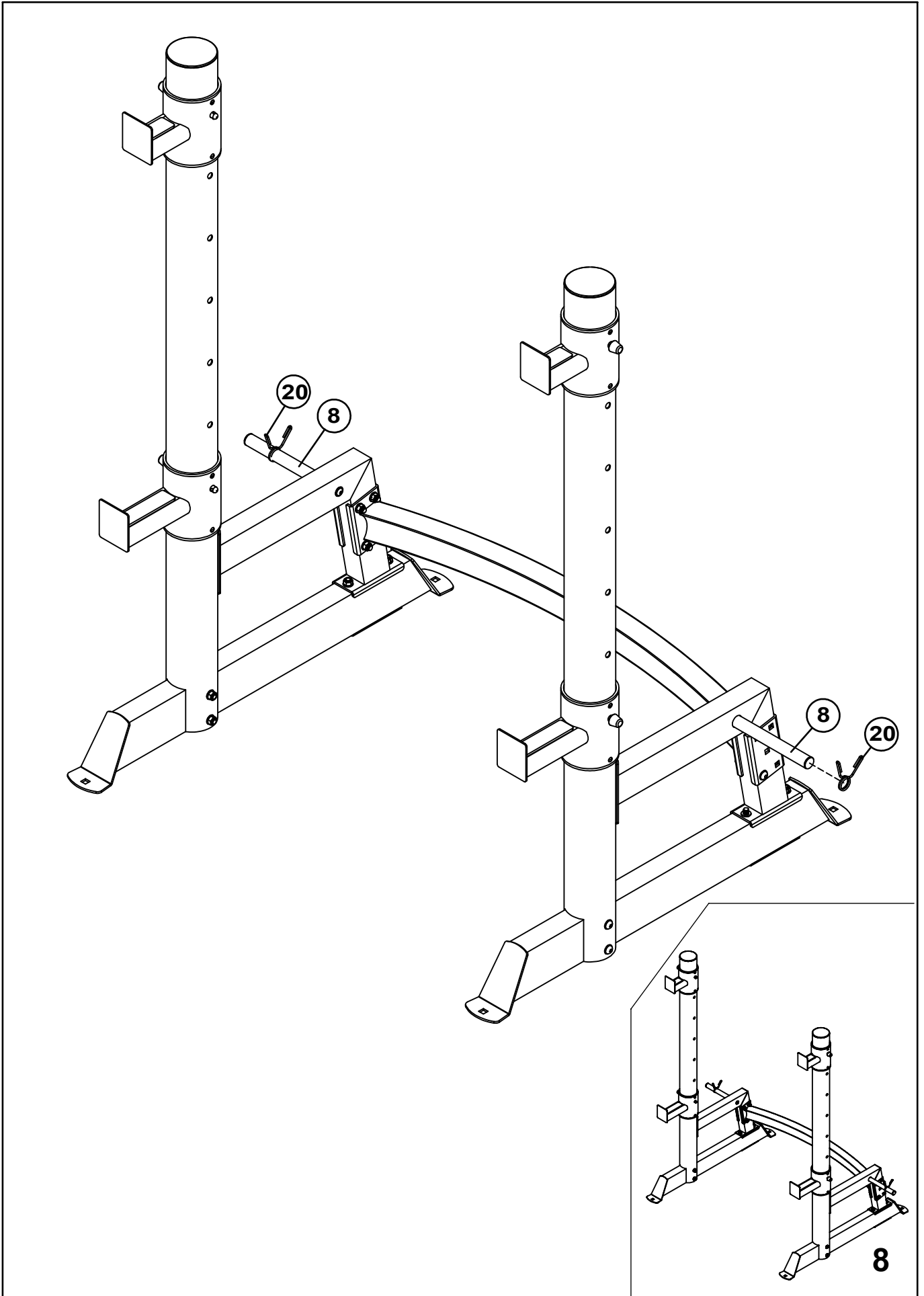
M10x3/4"

25 x 2



Φ3/4"

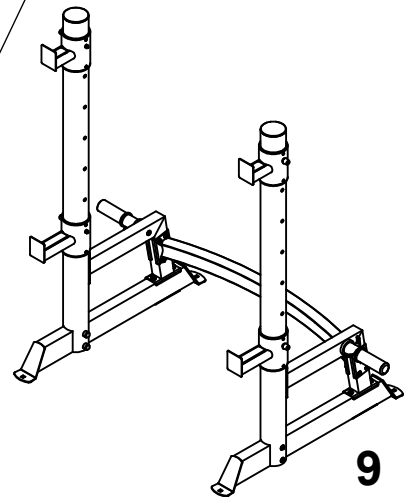
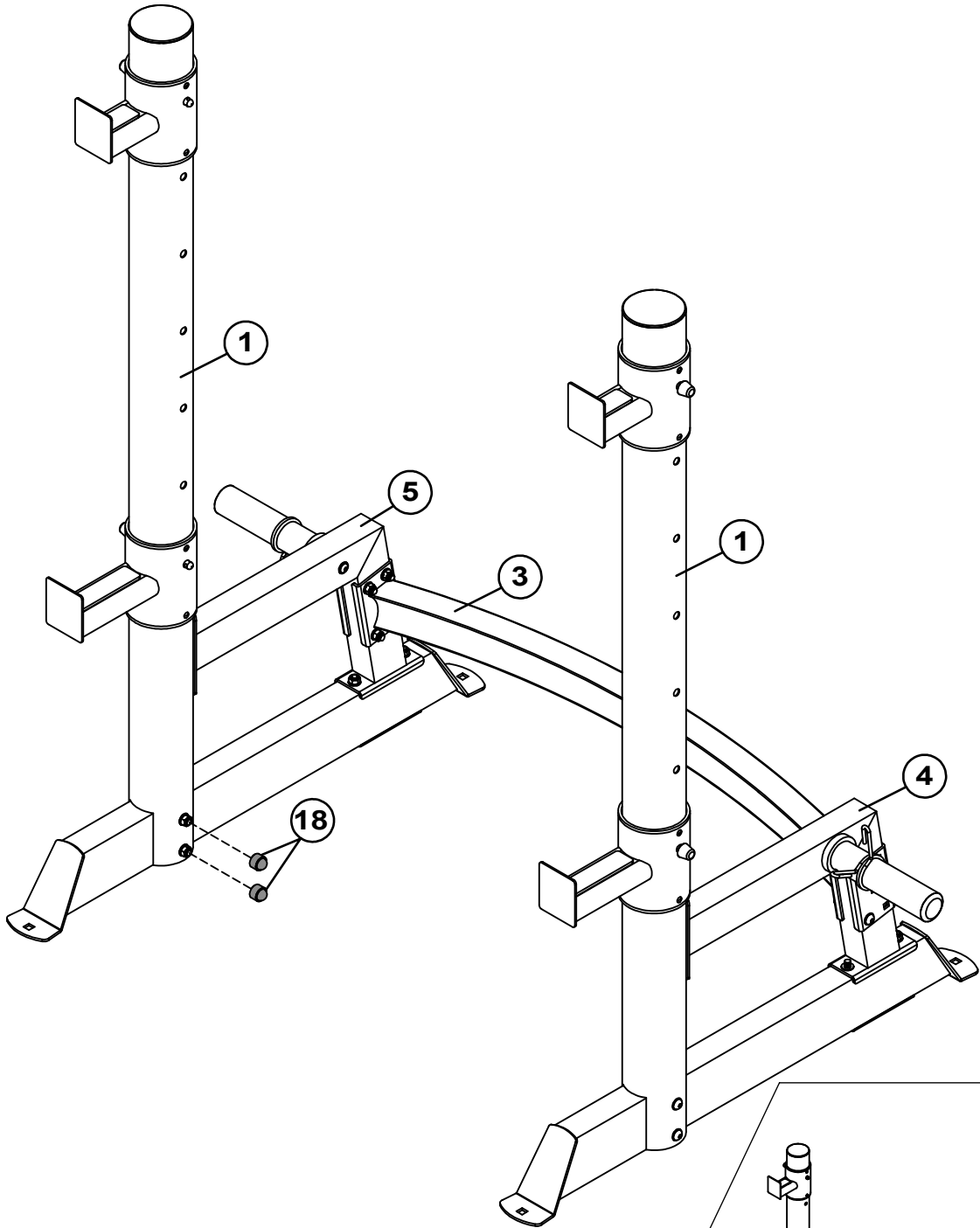


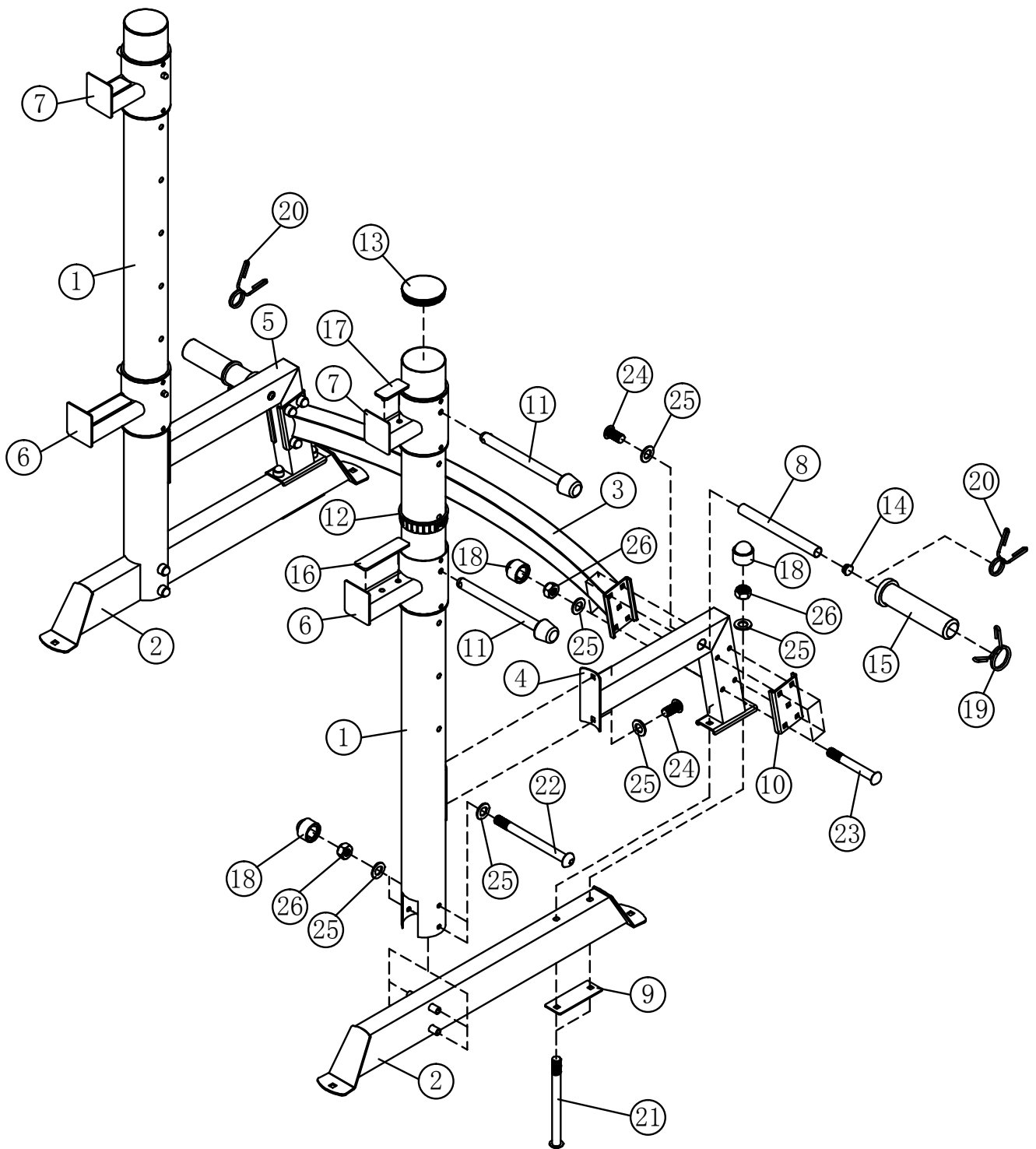


18 x 16



M10





IMPEX[®] INC.

2801 S. Towne Ave. Pomona, CA 91766

Tel: (800) 999-8899

www.impex-fitness.com

info@impex-fitness.com